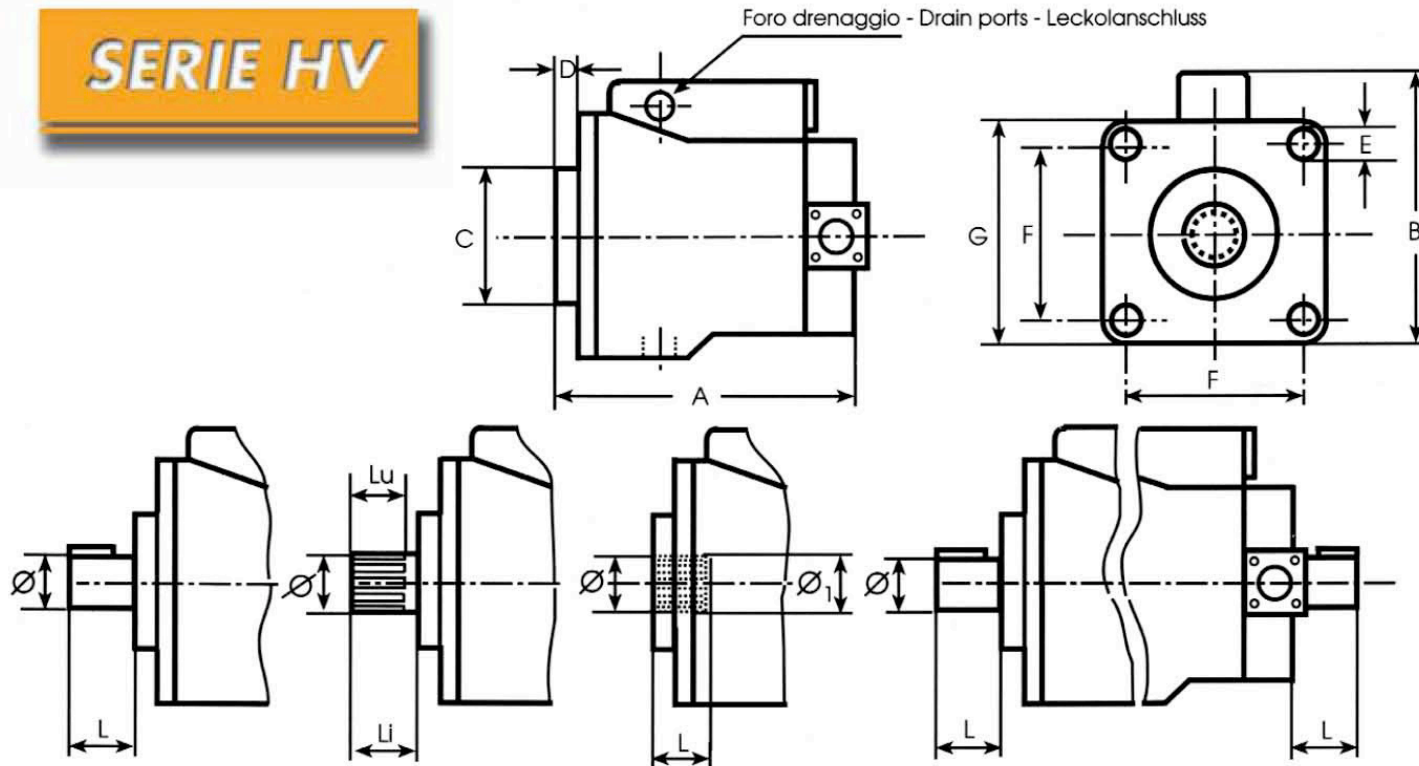


SERIE HV



| MODELLO TYPE - TYP | A | B | $\varnothing C \begin{smallmatrix} +0 \\ -0,05 \end{smallmatrix}$ | D | $\varnothing E$ | F | G | ATTACCO SAE SAE Fittings - SAE Anschlüsse 6000 PSI | FORO DRENAGGIO Drain ports Leckolanschluss |
|-----------------------|-----|-------|---|----|-----------------|-------|------|--|--|
| HV 200 | 339 | 290 | 165,1 | 24 | 20 | 224,5 | ∅260 | 1" | 3/4" GAS |
| HV 300 | 390 | 344,5 | 177,8 | 24 | 26 | 247,6 | ∅305 | 1" 1/4 | 3/4" GAS |
| HV 450 | 390 | 344,5 | 177,8 | 24 | 26 | 247,6 | ∅305 | 1" 1/4 | 3/4" GAS |
| HV 600 | 417 | 380 | 190,5 | 24 | 25 | 268,7 | ∅330 | 1" 1/2 | 3/4" GAS |
| HV 700 | 417 | 380 | 190,5 | 24 | 25 | 268,7 | ∅330 | 1" 1/2 | 3/4" GAS |

| MODELLO TYPE - TYP | FEMMINA PASSANTE - DIN 5480 m 2 Female hollow splined shaft - Vielkeil-Hohlwelle | | | MASCHIO SCANALATO - DIN 5480 m 2 Splined male shaft - Vielkeilwelle | | | Cilindro con chiave a sempl. e dopp. uscita Cylindrical keyed shaft at simple and double end Zylinder Passfedernwelle, einseitig oder beidseitig | |
|-----------------------|---|----|-----------------|--|---|---|--|----|
| | \varnothing | L | \varnothing_1 | \varnothing | Lunghezza utile L_u Useful L - Nutzbarer Länge | Lunghezza ingombro Total L - Gesamtlänge L_t | \varnothing | L |
| HV 200 | 40 | 60 | 41 | 40 | 45 | 65 | 45 | 65 |
| HV 300 | 45 | 70 | 50 | 45 | 50 | 75 | 60 | 75 |
| HV 450 | 45 | 70 | 50 | 45 | 50 | 75 | 60 | 75 |
| HV 600 | 50 | 70 | 51 | 55 | 55 | 70 | 65 | 75 |
| HV 700 | 50 | 70 | 51 | 55 | 55 | 70 | 65 | 75 |

| MODELLO TYPE - TYP | CILINDRATA Displacement Schluckvolumen | | Press. max cont. bar Max continuous press. bar Max Dauerbetriebsdruck | P. max di punta bar Max peak press. bar Max Spitzen Betriebsdruck | Velocità RPM Speed range RPM Drehzahlbereich RPM | | Coppia a 320 bar Kgm Torque at Drehmoment bei | POTENZA Kw Power Kw - Leistung Kw | | PESO Kg Weight Kg Gewicht Kg |
|-----------------------|--|-----|---|---|--|----------|---|--------------------------------------|--------------------------|------------------------------------|
| | MAX | MIN | | | CIL. MIN | CIL. MAX | | MAX INTERMITT. | MAX CONTIN. MAX DAUER | |
| HV 200 | 205 | 82 | 320 | 400 | 1900 | 1400 | 105 | 153 | 114 | 82 |
| HV 300 | 325 | 130 | 320 | 400 | 1700 | 1200 | 166 | 208 | 156 | 114 |
| HV 450 | 462 | 186 | 320 | 400 | 1600 | 1100 | 235 | 271 | 203 | 114 |
| HV 600 | 588 | 236 | 320 | 400 | 1500 | 1000 | 300 | 313 | 235 | 155 |
| HV 700 | 671 | 266 | 320 | 400 | 1350 | 950 | 331 | 335 | 251 | 155 |

DIMENSIONI E CARATTERISTICHE POSSONO ESSERE VARIATE SENZA PREAVVISO
THE PUBLISHER RESERVES THE RIGHT TO CHANGE SPECIFICATIONS WITHOUT NOTICE
DER HERAUSGEBER BEHÄLT SICH TECHNISCHE ÄNDERUNGEN VOR OHNE MITTEILUNG